

**BENEFITS:**

- Lasts longer in various kinds of small portable electronic devices



**APPLICATIONS BEST FOR:**



- GP Alkaline Cell Battery
- 1.5 Volts

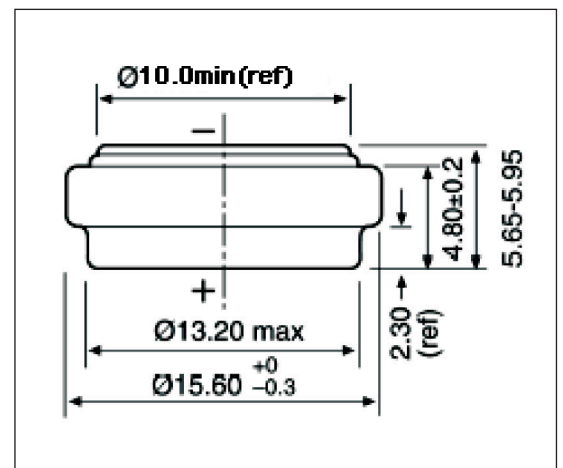
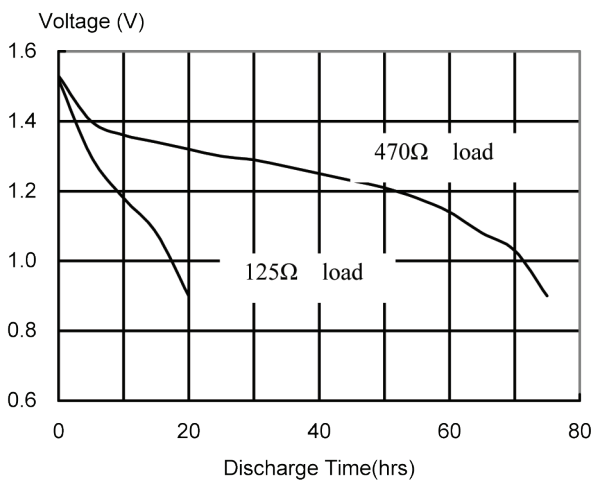
**Other Details:**

- Alkaline Manganese Dioxide chemistry
- Button cell type
- Average weight: 2.9g

**CROSS REFERENCES:**

GP	Energizer	Varta	Duracell
PX625A	E625G	V625U	625A

**Typical Discharge characteristics at 20 ± 2 °C**



Unit : mm