

BENEFITS:

- Lasts longer in hearing aid devices
- Wide range of operating temperature



APPLICATIONS BEST FOR:



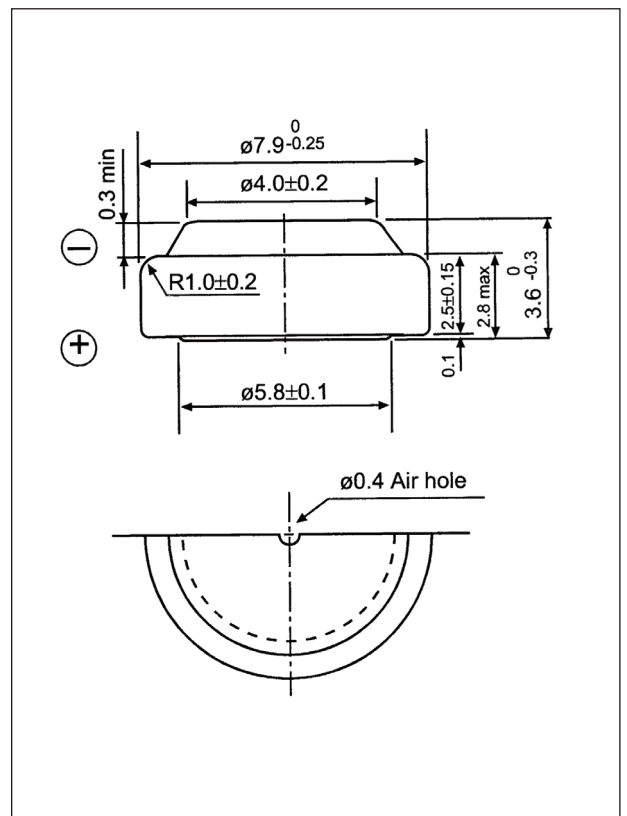
- GP Zinc Air Battery
- 1.4 Volts

Other Details:

- Zinc Air chemistry
- Button cell type
- Average weight: 0.6g

CROSS REFERENCES:

| GP | IEC/ | Energizer | Duracell Varta | Rayovac |
|-------|------|-----------|-------------------|---------|
| ZA312 | PR41 | AC312 | 312 | 312A |



Unit : mm