

BENEFITS:

- Lasts longer in hearing aid devices
- Wide range of operating temperature



APPLICATIONS BEST FOR:



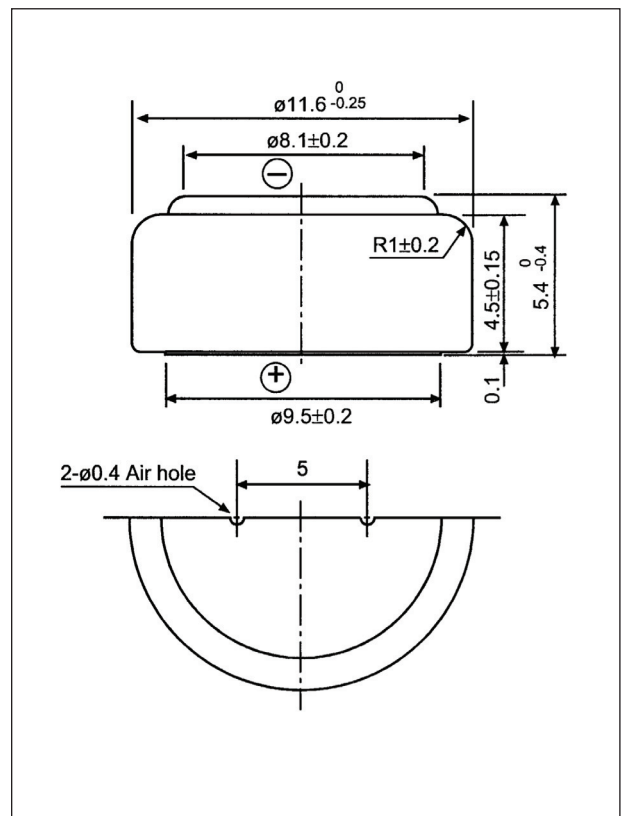
- **GP Zinc Air Battery**
- **1.4 Volts**

Other Details:

- Zinc Air chemistry
- Button cell type
- Average weight: 1.8g

CROSS REFERENCES:

GP	IEC/	Energizer	Duracell Varta	Rayovac
ZA675	PR44	AC675	675	675A



Unit : mm