

BENEFITS:

- Wide range of operating temperatures, from -10°C to +60°C
- Long shelf life of 10 years

APPLICATIONS BEST FOR:



Other Details:

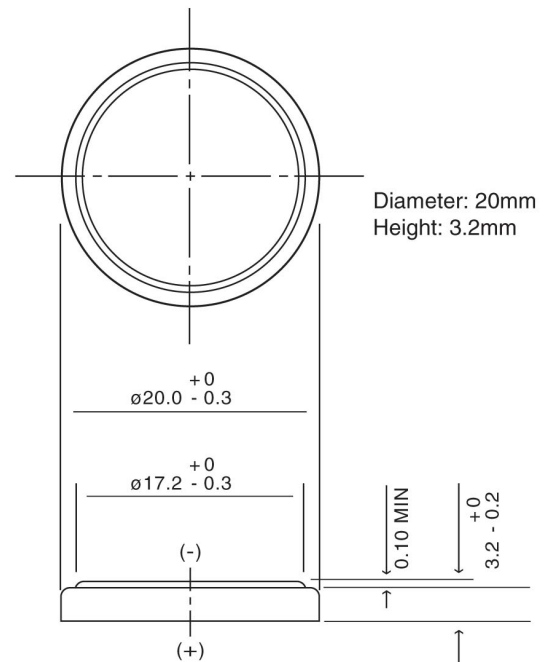
- Lithium Manganese Dioxide chemistry
- Button cell type
- Store lithium coin cells out of sight and reach of young children

Cross References:

GP	IEC	Energizer	Varta	Duracell
CR2032	CR2032	CR2032	CR2032	2032



- GP Lithium Cell Battery
- 3 Volts



Unit : mm