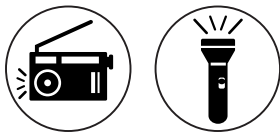


**BENEFITS:**

- High capacity for devices
- Cost saving
- Environmentally friendly

**APPLICATIONS BEST FOR:**



**OTHER DETAILS:**

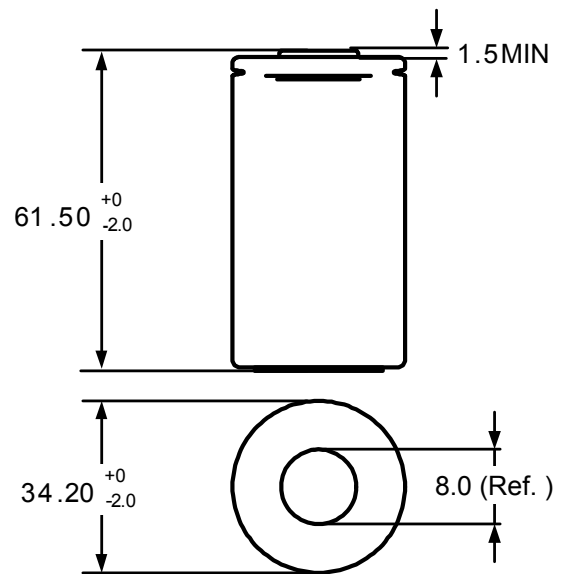
- Nickel Metal Hydride chemistry
- Nominal voltage 1.2V
- Gross weight ~130g

**BATTERY HANDLING**

- Batteries should be charged prior to use.
- Remove batteries from the electrical device if the device is not going to be used for a long period of time.
- Do not mix new batteries in use with semi-used batteries.
- In order to maintain satisfactory cell / battery performance when being stored under extending period of time, fully charge the cell / battery every 6-9 months is highly recommended.



- **GP 4500 series**  
**Rechargeable battery**
- **D size**
- **Minimum capacity 4500mAh**



Unit : mm